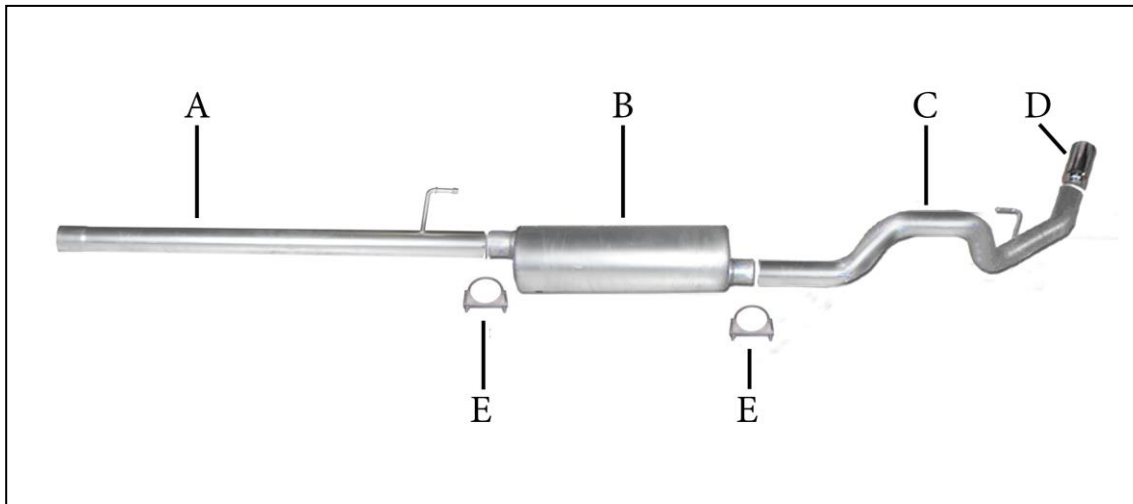


## INSTRUCTION MANUAL CAT-BACK SINGLE EXHAUST

FORD F150 SVT RAPTOR TRUCK 6.2L, V8 4WD  
SUPER CREW, SHORT BED

PART # 619636B



ITEM	PART #	QUANTITY	DESCRIPTION
A	999700748S	1	3" HEADPIPE
B	421887	1	SUPERFLOW MUFFLER
C	1298-701066S	1	3" OVERAXLE TAILPIPE W/HANGER
D	500641-B	1	BLACK CERAMIC TIP
E	OHD300	2	3" CLAMP

Thank you for purchasing our GIBSON EXHAUST SYSTEM for your vehicle. If you need any further assistance, please do not hesitate to call our Technical Department at 1-800-528-3044 Monday through Friday, 8:00 AM to 5:00 PM P.S.T

# EXHAUST INSTALLATION #619636B

When installing this exhaust system make sure to use proper safety precautions. Use jack stands when under the truck, set parking brake, block tires and use safety glasses and gloves.

**DO NOT WORK WITH HOT PIPES!**

## **SUGGESTED TOOLS:**

1/2" , 9/16" , 15mm Socket & Wrench, WD-40, Jack Stand



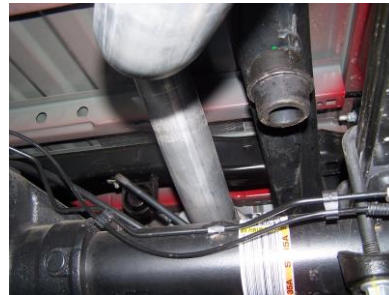
TO REMOVE YOUR STOCK EXHAUST, MEASURE 6" FROM THE 2-BOLT FLANGE LOCATED IN FRONT OF YOUR STOCK MUFFLER AND CUT.



INSTALL OVERAXLE TAILPIPE #C INTO MUFFLER 1 1/2" TO 2". INSERT HANGERS INTO RUBBER GROMMETS. USE CLAMP #E TO SECURE PIPE TO MUFFLER. DO NOT TIGHTEN.



INSTALL HEADPIPE # A INTO STOCK PIPE. THE END OF THE PIPE SHOULD BE AT THE 12 O'CLOCK POSITION., INSERT WELDED HANGERS INTO RUBBER GROMMET. ATTACH WITH FACTORY CLAMP. DO NOT TIGHTEN. REMOVE THE HANGER FROM THE FRAME & RELOCATE TO THE HOLES JUST TO THE LEFT OF THE OTHER HOLES YOU WILL NEED TO PRY THE INSERTS OUT & RE-INSTALL SEE PHOTO



INSTALL MUFFLER # B ONTO HEADPIPE 1 1/2" TO 2". USE CLAMP # E TO SECURE MUFFLER TO HEADPIPE. DO NOT TIGHTEN. USE A JACK STAND TO HOLD UP THE MUFFLER. MUFFLER INLET IS LOOKING INTO THE LOUVERS. OUTLET SHOULD BE AT THE 10 O'CLOCK POSITION.



INSTALL YOUR STAINLESS TIP TO YOUR DESIRED LOOK. NOW GO BACK AND TIGHTEN ALL CLAMPS STARTING FROM THE FRONT AND WORKING YOUR WAY BACK.

**MAKE SURE YOU HAVE A 1" CLEARANCE ON ALL RUBBER BRAKE LINES, SHOCK BOOTS, TIRES, FUEL LINES, ETC..**